

THE NETHERLANDS
(N E D E R L A N D)

COMMUNICATION

Concerning ⁽¹⁾:

- approval granted
- ~~approval extended~~
- ~~approval refused~~
- ~~approval withdrawn~~
- ~~production definitely discontinued~~

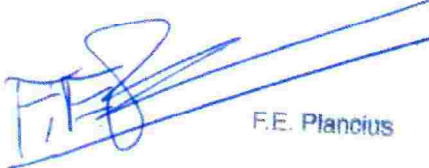
of a type of rear-view mirror pursuant to Regulation number 81.


Approval number: E4-81R-000214**Extension number: 00**

- 1 Trade name or mark : QIAOYU
- 2 Equipment type : QY181
- 3 Brief description including in particular the following information
 - 3.1 Main dimensions (of the reflecting surface) : Ø 97,9 mm
 - 3.2 Nominal radius of curvature(of the reflecting surface) : 1200 mm
- 4 Manufacturer's name- and address : Zhejiang Qiaoyu Motorcycle Parts Co., Ltd.
Haibin Dadao, Hengjie, Luqiao, Taizhou,
318050, Zhejiang
P.R. China
- 5 If applicable, name and address of manufacturer's representative : not applicable
- 6 Equipment submitted for approval on : December 26, 2006
- 7 Technical service responsible for conducting approval tests : TÜV Rheinland Kraftfahrt GmbH
Technologiezentrum Verkehrssicherheit
Typprüfstelle Fahrzeuge/Fahrzeugteile
Am Grauen Stein
D-51105 Köln (Poll)

P.O. Box 777
2700 AT Zoetermeer
The NetherlandsTel. +31 (0)79 345 81 43
Fax +31 (0)79 345 80 33
www.rdw.nl*Vehicle Approval and Information*

- 8 Date of report issued by that service : March 1, 2007
- 9 Number of report issued by that service : 87-R81-455/07
10. Vehicles for which the equipment is designed : moped, motorcycle
- 11 Approval is : ~~granted/refused/extended/withdrawn~~
- 12 Reason(s) for extension of approval : not applicable
- 13 Place : Zoetermeer
- 14 Date : 26-03-2007
- 15 Signature :


F.E. Plancius



- 16 A list of the documents contained in the approval file transmitted to the administrative service which has granted approval is annexed to this communication

⁽¹⁾ Strike out what does not apply.

Manufacturer : Zhejiang Qiaoyu Motorcycle Parts Co., Ltd.
Type : QY181

TECHNICAL REPORT

according to ECE-Regulation

**Uniform provisions concerning the approval
of rear view mirrors for two wheels power driven
vehicles, with or without side car**

ECE-R81
including all amendments until
supplement 1

| | |
|---------------------------|-------|
| Previously granted | |
| ECE - certificate | : --- |

Structure of report :

0. General information
1. Test information
2. Test minutes
3. Remarks concerning tested object(s)
4. Appendices
5. Statement of conformity

Manufacturer : Zhejiang Qiaoyu Motorcycle Parts Co., Ltd.
Type : QY181

0. General information

- 0.1. Make (trade name of the manufacturer) : QIAOYU
- 0.2. Type : QY181
- 0.3. Class of rear view mirror : L
- 0.4. Name and address of the manufacturer : Zhejiang Qiaoyu Motorcycle Parts Co., Ltd.
Haibin Dadao, Hengjie, Luqiao, Taizhou,
318050, Zhejiang
P.R. China
- 0.5. Order issued by (if different from manufacturer) : ---
- 0.6. No. of information folder : QY181-00

1. Test information

- 1.1. Test object(s)
identification number : ---
model : QY181
- 1.2. Test object(s) received on : ---
- 1.3. Test date : February 01, 2007
- 1.4. Test site : Shanghai Motor Vehicle Inspection Center
68, Yutian South Road, Anting, Jiading,
201805, Shanghai,
P.R. China
- 1.5. Remark : The results of the test refer exclusively to the object(s) mentioned under point 1.1 of this report.

Manufacturer : Zhejiang Qiaoyu Motorcycle Parts Co., Ltd.
 Type : QY181

2. Test minutes

- 2.1. Test facilities : The test equipment used was in compliance with the requirements of the regulation.
- 2.2. Test results
- General requirement : The mirror type complies with the general requirements of the regulation.
- Special requirements : The mirror type complies with the special requirements of the regulation.
- Tests conducted : The mirror type complies with the requirements of the regulation concerning the dimension, impact, bending and reflectivity tests.
- 2.3. Dimensions of the reflecting surface

| area of reflecting surface | |
|---|---------|
| required minimum value 69 cm ² | yes /no |
| inscription of a circle with 78 mm diameter for non-circular mirror | yes /no |
| fit into rectangle of 120 x 200 mm for non-circular mirrors | yes /no |

2.4. Reflecting surface and coefficient of reflection

| | | |
|--|--------------------------------------|-----------------------------------|
| Radius of curvature | $r_{p1} = (r_1 + r'_i) / 2$ | 1313.0mm |
| | $r_{p2} = (r_2 + r'_i) / 2$ | 1282.3mm |
| | $r_{p3} = (r_3 + r'_i) / 2$ | 1291.4mm |
| | $r = (r_{p1} + r_{p2} + r_{p3}) / 3$ | 1295.6mm |
| required minimum value of r | | $1000 \leq r \leq 1500$ |
| maximum difference between any of the radii ($r_{p1} + r_{p2} + r_{p3}$) and r | | 17.4 mm |
| allowable maximum difference (0.15 x r) | | 193.71 mm |
| coefficient of reflection | sample No 1 | 80.1 % |
| required minimum coefficient | | 40 % |
| resistance to corrosion and aging | | Manufacturer's statement attached |
| recognition of colours | | red, yellow, green, blue, white |
| tinting of mirror | | yes / no |

Manufacturer : Zhejiang Qiaoyu Motorcycle Parts Co., Ltd.
Type : QY181

2.5. Impact test

| Impact point on reflective surface | |
|---|----------|
| angle for raising pendulum and the vertical | 32° |
| breakage of mirror | yes / no |
| Impact point on housing surface | |
| angle for raising pendulum and the vertical | 31° |
| breakage of mirror | yes / no |

2.6. Bending test

Breakage of mirror : yes / no

Manufacturer : Zhejiang Qiaoyu Motorcycle Parts Co., Ltd.
Type : QY181

3. Remark concerning tested object(s) : All versions of the vehicle type as stated in the information document are covered with the tested vehicle version(s) and test object(s) respectively.

4. Appendices

0 List of modifications

Information folder : QY181-00

5. Statement of conformity

The information folder and the type described there comply with the requirements in the above mentioned regulation.

The test laboratory is accredited for the above mentioned tests by the accreditation body of the RDW, Vehicle Technology and Information Centre, as the competent Administrative Department for the Netherlands;

Certification No: RDW-99050014-02.

The technical report comprises the pages 1 to 6 (including appendices 0) and shall not be reproduced except in full without the written approval of the test laboratory.

Cologne, March 1, 2007
PC



B.S.M.E. P. Chen

Manufacturer : Zhejiang Qiaoyu Motorcycle Parts Co., Ltd.
Type : QY181

List of modifications

Appendix 0

Correction of : ---

Modification of : ---

Addition of : ---

Deletion of : ---

Zhejiang Qiaoyu Motorcycle Parts CO.,LTD .

Information folder NO.QY181--00

Application date: December 26,2006

Content

| DOCUMENT | PAGE |
|--|-------------|
| Informational data | 1 |
| Rear view assembly | 2 |
| Reflecting surface | 3 |
| Mirror shell | 4 |
| Hinge | 5 |
| Statement concerning resistance to corrosion and aging | 6 |



| | | |
|--|------|--------|
| | Type | QY181 |
| | Page | 0 of 6 |

Zhejiang Qiaoyu Motorcycle Parts CO.,LTD .

Information folder NO.QY181--00

Application date: December 26,2006

**Information document in respect of a type of rear—view mirror
intended for two or three—wheel motor vehicles**

The application for the component type approval of a type of rear—view mirror intended for two or three—wheel motor vehicles contains the following information:

“Make”or`trade name` : **QIAOYU**
Type : **QY181**
Name and address of manufacturer : zhejiang Qiaoyu Motorcycle Co,Ltd.
Haibin Road,Hengjie,Luqiao,Taizhou
318050,zhejiang,P.R., China

**Name and address of manufactur’e
representative(if any)** : **not applicable**

Class of type of rear—view mirror : **Class L**

Technical description : **no restrictions**

Appendices : **Drawing NO**

QY181-00-01:Rear—view Assembly
QY181-00-02:Reflecting surface
QY181-00-03:Mirror shell
QY181-00-04:Hinge
**Statement concerning resistance to
Corrosion and aging**

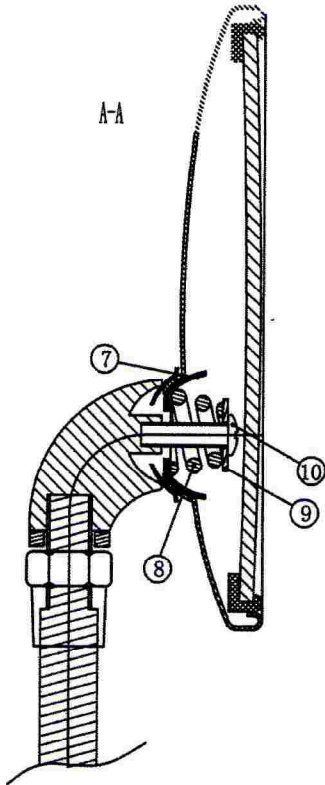
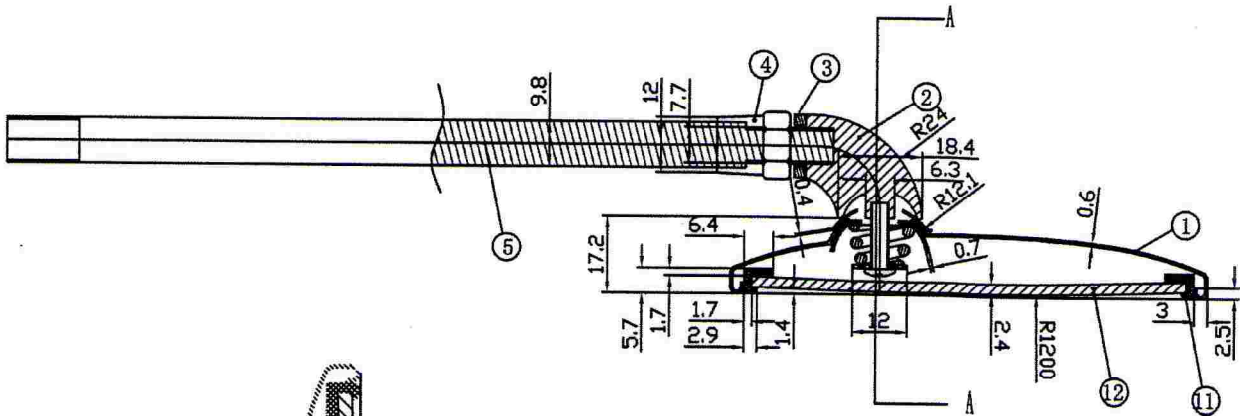


| | | |
|--|------|--------|
| | Type | QY181 |
| | Page | 1 of 6 |

Zhejiang Qiaoyu Motorcycle parts CO.,LTD.

Information folder NO.QY181-00

Application date:December 26, 2006



Rear-view mirror located on left and right hand of motorcycle are symmetric

| IETM | NAME | RART NO | QTY | REMARKS |
|------|------------------|----------|-----|---------|
| 1 | Housing | 51810100 | 1 | Fe |
| 2 | Socket | 51810200 | 1 | Zn |
| 3 | Washer M8 | 51810300 | 1 | |
| 4 | Nut-1M8 | 51810400 | 1 | |
| 5 | Shaft | 51810500 | 1 | |
| 6 | Nut-2 M10(M8) | 51810600 | 1 | M10(M8) |
| 7 | Inter Retainer | 51810700 | 1 | |
| 8 | Spring | 51810800 | 1 | |
| 9 | Washer M4 | 51810900 | 1 | |
| 10 | Screw 4x18 | 51811000 | 1 | |
| 11 | Rubber Ring | 51811100 | 1 | |
| 12 | Mirror | 51811200 | 1 | |



Rear---View Assembly(Light hand)

Drawing

NO:

QY181-00-02

Type

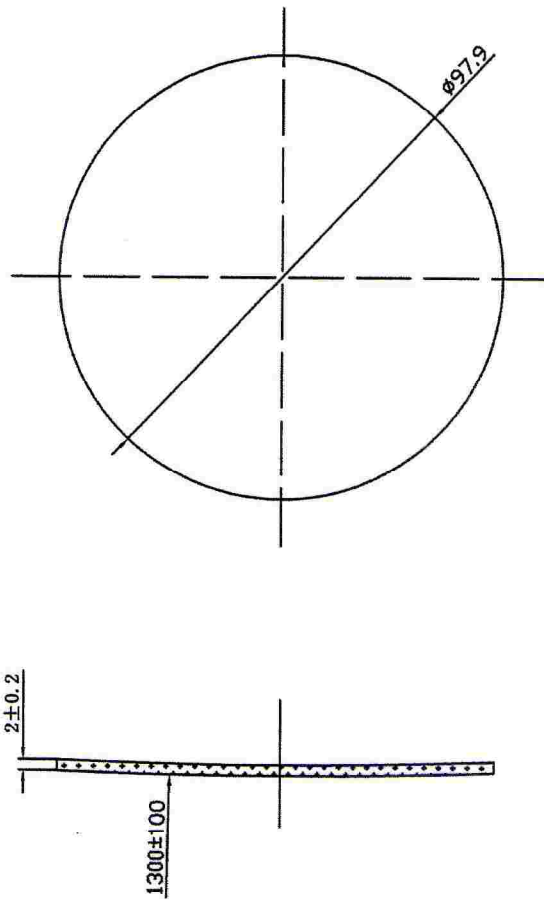
QY181

page

2 of 6

Zhejiang Qiaoyu Motorcycle parts CO.,LTD.
 Information folder NO.QY181-00

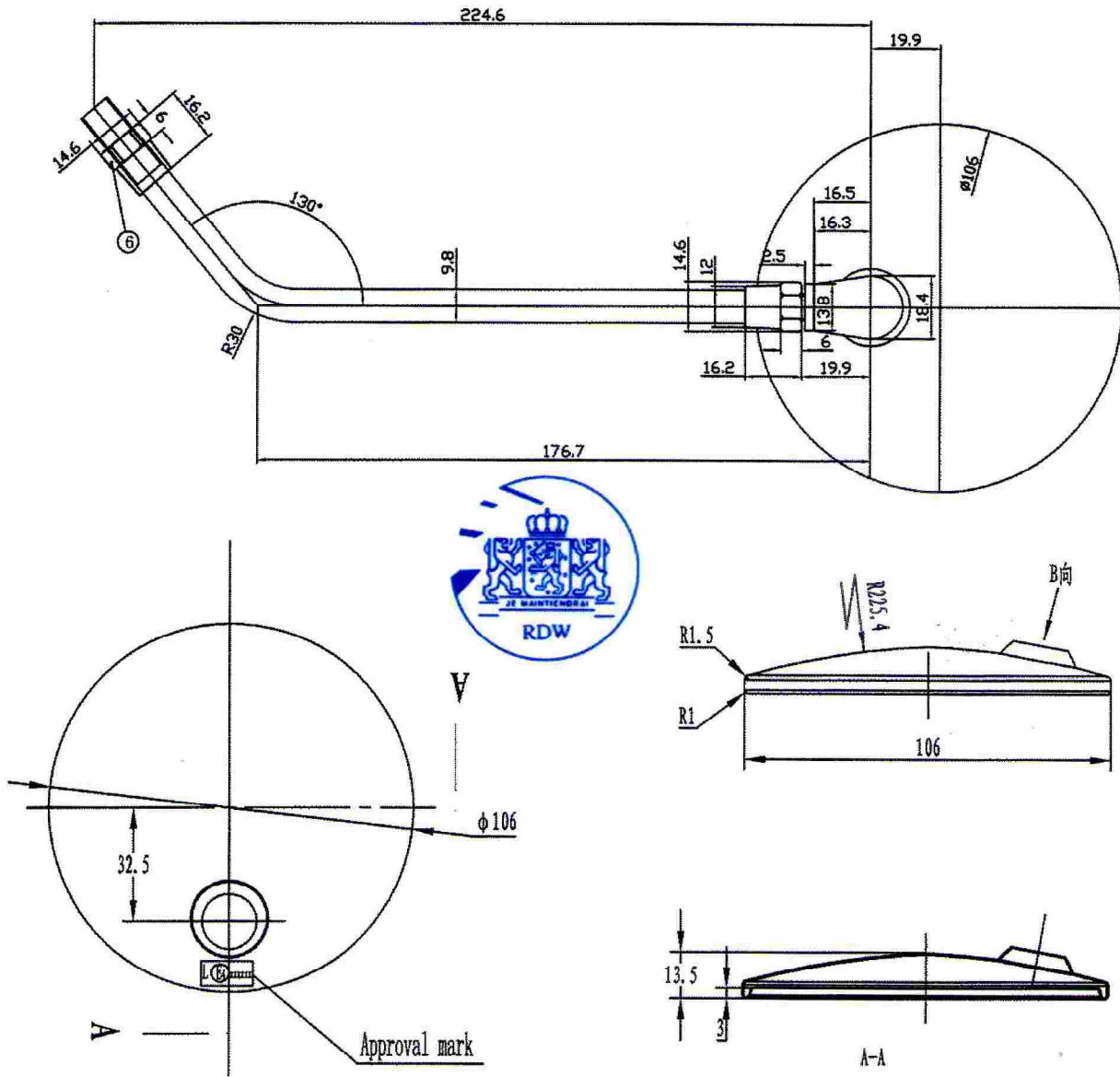
Application date:December 26,2006



| | | |
|--|--------------------|-------------|
| | Reflecting surface | |
| | Drawing NO: | QY181-00-03 |
| | Type | QY181 |
| | page | 3 of 6 |

Zhejiang Qiaoyu Motorcycle parts CO.,LTD.
 Information folder NO.QY181-00

Application date:December 26,2006

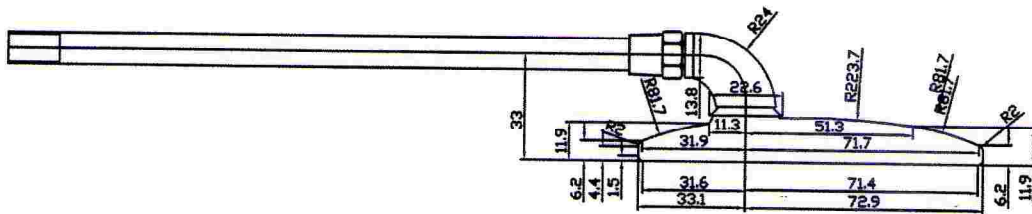


| | | |
|--|-------------|-------------|
| | Mirror | Shell |
| | Drawing NO: | QY181-00-04 |
| | Type | QY181 |
| | page | 4 of 6 |

Zhejiang Qiaoyu Motorcycle parts CO.,LTD.

Information folder NO.QY181-00

Application date:December 26,2006




| | | |
|--|-------------|-------------|
| | Hinge | |
| | Drawing NO: | QY181-00-05 |
| | Type | QY181 |
| | page | 5 of 6 |

Statement Concerning Resistance to Corrosion and Aging

We, Zhejiang Qiaoyu Motorcycle Parts Co., Ltd., herein guarantee that reflecting surface of rear-view mirror of the following types:

- QY181

will retain the characteristics specified in ECE Regulation No.81, in spite of prolonged exposure to adverse weather conditions, in normal conditions of use.

A handwritten signature in black ink is written over a circular, dotted stamp. The signature is stylized and appears to be 'Yang Gui Ming'. The stamp is partially obscured by the signature.

December 26 2006

Mr. Yang Gui Ming / General manager

Zhejiang Qiao

